

SPECIFICATIONS

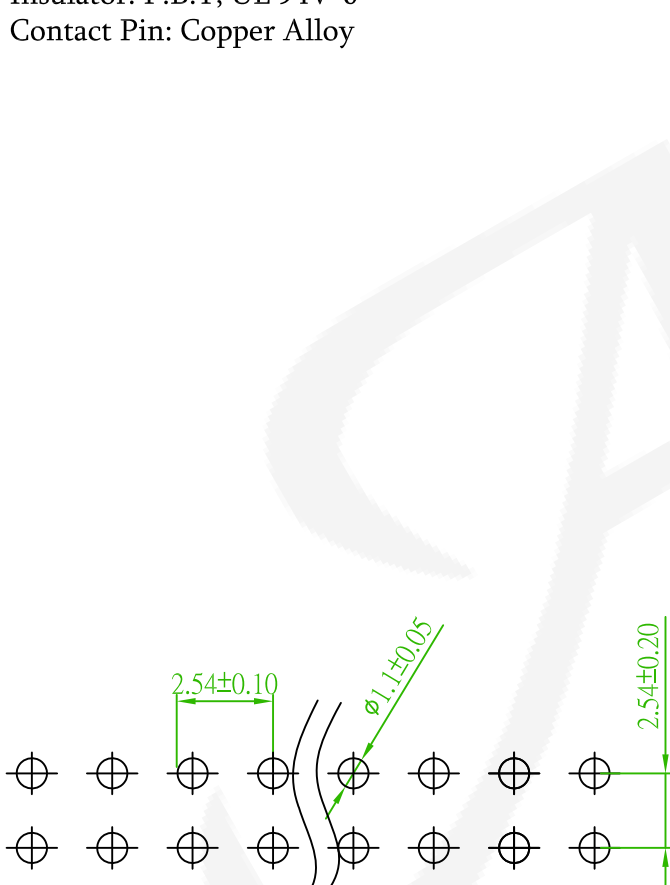
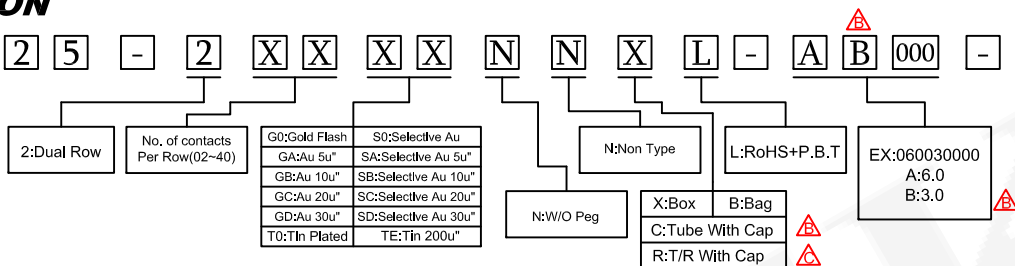
Current Rating: 3 AMP
 Insulation Resistance: 1000MΩ Min.
 Contact Resistance: 20mΩ Max.
 Dielectric Voltage: 1000V AC for one minute
 Operation Temperature: -25 °C to +85 °C

MATERIAL

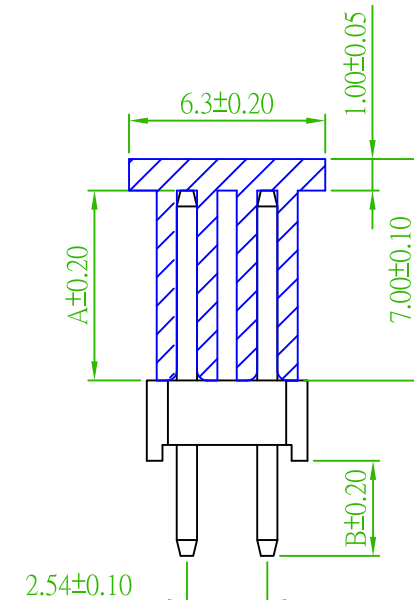
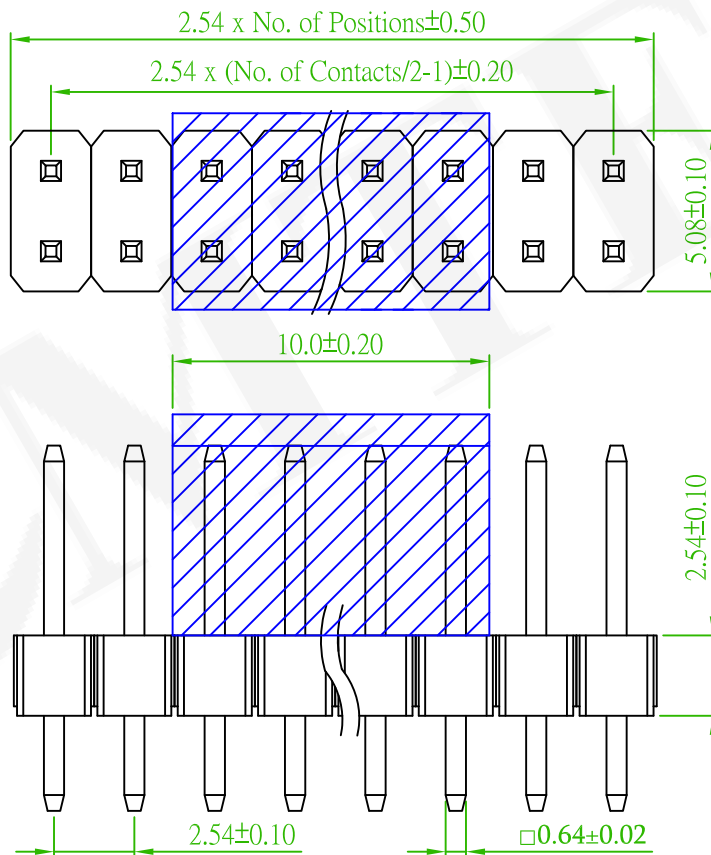
Insulator: P.B.T, UL 94V-0
 Contact Pin: Copper Alloy

ORDER INFORMATION

5 P H 1 S D A 2 5 - 2 X X X X N N X L - A B 000 - 0 0



Recommended PCB Layout
(PCB TOLERANCE ±0.05)



Old Part No. : PH1S25-2XX-L

△	Add the Package	C	2017/03/07 Mia
△	Modify order information	B	2017/01/26 Gary
REV.	ECN NO. OR DESCRIPTION	REVISED	DATE

Amtek Technology Co., Ltd.
 TEL: 886-2-2260-6878
 FAX: 886-2-2260-8030

品名 TITLE	PIN HEADER 2.54mm PLASTIC HEIGHT 2.5mm D/R V/T DIP TYPE				頁數 Page	1/1
品號 PART NO.	5PH1SDA25-2XXXXNXXL -XXXXXX000-00				繪圖 DRAWN	Mia 2015/08/24
圖號 DRAWING NO.	GN016-GA175	版本 REV.	C	核對 CHECKED	John 2015/08/24	
客戶品號 CUSTOMER P/N		比例 SCALE	None	承認 APPROVED	John 2015/08/24	
公差 TOLERANCE	.X ± 0.35 .XX ± 0.25	.X° ± 3	單位 UNIT	mm	THIRD ANGLE PROJECTION	